



Fiber Rack Mount Patch Panels 12 & 24 Ports Multimode ST, SC, LC

Our pre-loaded 12 port and 24 port fiber rack mount patch panels are designed to manage up to 24 fibers. The chassis come pre-loaded with one of four options (12 port ST simplex, 12 port SC simplex, 12 port LC duplex, or 24 port LC duplex). These fiber patch panels are perfect for connections between outside plant, riser, or plenum distribution cables.

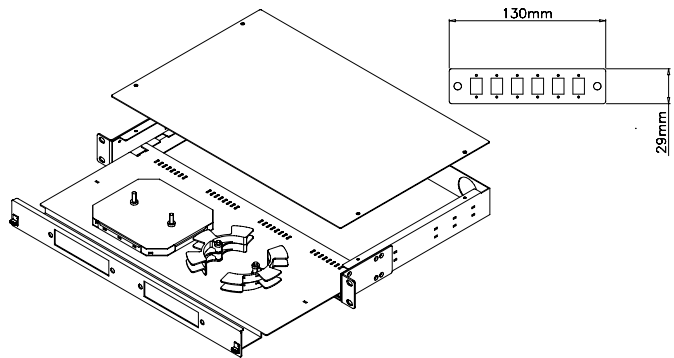
Features

- 2x Dust Proofing Grommets (Included)
- 1x 12 Fiber Splice Tray (Included For 12 Port)
- 2x 12 Fiber Splice Trays (Included For 24 Port)
- SPCC Metal Construction
- 1x Cable Routing Spool (Included For 12 Port)
- 2x Cable Routing Spools (Included For 24 Port)
- Cable Ties (Included)
- Cable Routing Clamps (Included)
- Fiber Splice Sleeves (Included)
- Installation Instructions (Included)
- Attractive Black Textured Finish

Physical Characteristics

- Panel Material: SPCC
- Cable Routing Spools: ABS, UL 94V-0
- Dust Proofing Grommets: PVC
- Splice Trays: Aluminum
- Dimensions: 19" x 11" x 1.75"
- Finish: Black Textured Paint

Fiber Patch Panels



Adapter Plate Options:

- | | | | |
|----|--|------------|-------------------------|
| 2x | | ST Simplex | Item# FB11-2842-12T/RL |
| 2x | | SC Simplex | Item# FB11-2841-12C/RL |
| 1x | | LC Duplex | Item# FB11-4561-12LC/RL |
| 2x | | LC Duplex | Item# FB11-4563-24LC/RL |

Additional Single Mode Fiber Optic Couplers (Not Included)

• FB10-5362-LCA - Single Mode, LC/APC Duplex Adapter

Primus Cable LC duplex fiber adapters are made to supply a single mode option for our loaded fiber patch panels and loaded fiber wall mount enclosures. Each fiber adapter fits securely into designated slots and is used to couple LC/APC connections together inside of a fiber distribution unit.



• FB10-5039-LCU - Single Mode, LC/UPC Duplex Adapter

Primus Cable LC duplex fiber adapters are made to supply a single mode option for our loaded fiber patch panels and loaded fiber wall mount enclosures. Each fiber adapter fits securely into designated slots and is used to couple LC/UPC connections together inside of a fiber distribution unit.



• FB10-4585-SCA - Single Mode, SC/APC Simplex Adapter

Primus Cable SC simplex fiber adapters are made for our plastic fiber distribution units, loaded fiber patch panels and loaded fiber wall mount enclosures. Each fiber adapter fits securely into designated slots and is used to couple SC/APC connections together.



• FB10-4583-SCU - Single Mode, SC/UPC Simplex Adapter

Primus Cable SC simplex fiber adapters are made for our plastic fiber distribution units, loaded fiber patch panels and loaded fiber wall mount enclosures. Each fiber adapter fits securely into designated slots and is used to couple SC/UPC connections together.



PrimusCable.com - (951) 824-1571



Fiber Rack Mount Patch Panels 12 & 24 Ports Multimode ST, SC, LC

Additional Fiber Tools (Not Included)

Fiber Stripper, 2.0mm-3.0mm, 900, 250/125um

- Five Stripping Functions In One Tool
- Factory Set And Calibrated
- Cushioned, Locking Handles
- Strips Jackets From 2-2.4mm, 2.8-3mm Fiber & 2-3mm Loose Tube Buffer Tubes
- Removes 900µm Buffer From Loose Buffer Without Removing The Acrylate Coating.
- Strips Buffer & Acrylate From 900/125µm & 250/125µm Fiber



A

Fiber Cleaver, Ceramic Blade, Lengths 2mm-20mm

- Fast Splicing For Emergency Restorations
- Self Gripping Clamshell Design
- Adhesive Option for Added Pull Strength
- For 125µm Clad Fiber
- Singlemode And Multimode
- Affordable



B

Fiber Optic Cable Termination Tool Kit

- Fabric Tape Measure
- 3 Economy Tie Labels
- 5 Fusion Splice Sleeves
- PVC Electrical Tape
- 6 Side Cutting Pliers
- 1Mtr 3mm Furcation
- 1Mtr 900µm Furcation
- 3oz. Alcohol Bottle
- Safety Glasses
- Kevlar Scissors
- Buffer Tube Stripper
- Round Cable Slitter
- Needle Nose Pliers
- Black Marker
- Black Work Mat
- Fiber Stripper
- Connector Cleaner
- Jacket Stripper
- Kim Wipes
- 50 Foam Swabs
- 4 Bit Screwdriver
- Rugged Carry Case
- Fiber Disposal Unit
- Fiber Stripper
- Tweezers
- Fiber Stripper
- Utility Knife
- Ruler
- 1/2 Nut Driver
- 5 D-Gel Wipes
- Piano Wire



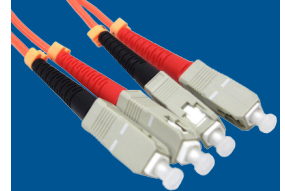
C

A: TL5-4569 / B: TL9-4431 / C: FB26-3921-FTK

Additional Fiber Patch Cables (Not Included)

SC-SC Multimode, Duplex, 62.5/125, OM1

- 1 Meter: FB1-2214-SC/SC-1M
- 2 Meters: FB1-2215-SC/SC-2M
- 3 Meters: FB1-2216-SC/SC-3M
- 5 Meters: FB1-2217-SC/SC-5M
- 7 Meters: FB1-2218-SC/SC-7M
- 10 Meters: FB1-2219-SC/SC-10M
- 15 Meters: FB1-2220-SC/SC-15M



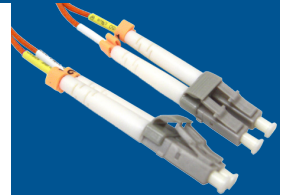
ST-ST Multimode, Duplex, 62.5/125, OM1

- 1 Meter: FB3-2585-ST/ST-1M
- 2 Meters: FB3-2586-ST/ST-2M
- 3 Meters: FB3-2587-ST/ST-3M
- 5 Meters: FB3-2588-ST/ST-5M
- 7 Meters: FB3-2589-ST/ST-7M
- 10 Meters: FB3-2590-ST/ST-10M
- 15 Meters: FB3-2591-ST/ST-15M



LC-LC Multimode, Duplex, 62.5/125, OM1

- 1 Meter: FB4-2464-LC/LC-1M
- 2 Meters: FB4-2465-LC/LC-2M
- 3 Meters: FB4-2466-LC/LC-3M
- 5 Meters: FB4-2467-LC/LC-5M
- 7 Meters: FB4-2468-LC/LC-7M
- 10 Meters: FB4-2469-LC/LC-10M
- 15 Meters: FB4-2258-LC/LC-15M



©2014 CRN Solutions Inc. dba. Primus Cable
All Rights Reserved.

Although Primus Cable makes every reasonable effort to ensure their accuracy at the time of this publication, information and specifications described herein are subject to error or omission and to change without notice, and the listing of such information and specifications does not ensure product availability.

Primus Cable provides the information and specifications herein on an "AS IS" basis, with no representations or warranties, whether express, statutory or implied. In no event will Primus Cable be liable for any damages (including consequential, indirect, incidental, special, punitive, or exemplary damages) whatsoever, even if Primus Cable has been advised of the possibility of such damages, whether in an action under contract, negligence or any other theory, arising out of or in connection with the use, or inability to use, the information or specifications described herein.

All sales of Primus Cable products are subject to Primus Cable's standard terms and conditions of sale.

Primus Cable believes this product to be in compliance with EU RoHS (Directive 2002/EC, 27 Jan. 2003). Material manufactured prior to the compliance date may be in stock at Primus Cable facilities and in our Distributor's inventory. The information provided in this Product Disclosure, and the identification of materials listed as reportable or restricted within the Product Disclosure, is correct to the best of Primus Cable's knowledge, information, and belief at the date any other operation of the product itself or the one that it becomes a part of. This Product Disclosure is not to be considered a warranty or quality specification and regulations based on their individual usage of the product.

Primus Cable declares this product to be in compliance with EU LVD (Low Voltage Directive 73/23/EEC), as amended by directive 93/68/EEC

PrimusCable.com - (951) 824-1571